

Hampton Bay®
Transitional Collection

Andover Indoor/Outdoor 52" Ceiling Fan with Remote Control Owner's Manual

Andover Interior o Exterior
Ventilador de Techo de 52"
con Control Remoto
Manual del Propietario





Congratulations on your purchase of a Hampton Bay ceiling fan, Your new fan will be a beautiful addition to your home, and will keep you comfortable throughout the year.

The Hampton Bay Fan Company offers a wide variety of ceiling fans. We offer combinations of wood and brass finishes, solid designer colors, and our unique glass and crystal designs.

A large selection of light fixtures and light kits is also available. Ask your dealer about other accessories that will allow you to further customize your fan.

We're certain that your Hampton Bay fan will provide you with many years of comfort, energy savings and satisfaction. To ensure your personal safety and to maximize the performance of your fan, please read this manual thoroughly.

Andover by Hampton Bay®

Hampton Bay Lifetime Limited Warranty

The retailer warrants the fan motor to be free from defects in workmanship and material present at time of shipment from the factory for a lifetime after the date of purchase by the original purchaser. The retailer also warrants that all other fan parts, excluding any glass or plexiglass blades, to be free from defects in workmanship and material at the time of shipment from the factory for a period of one year after the date of purchase by the original purchaser. We agree to correct such defects without charge or at our option replace with a comparable or superior model if the product is returned to the retailer. To obtain warranty service, you must present a copy of the receipt as proof of purchase. All costs of removing and reinstalling the product are your responsibility. Damage to any part such as by accident or misuse or improper installation or by affixing any accessories, is not covered by this warranty. Because of varying climatic conditions in the United States this warranty does not cover any changes in brass finish, including rusting, pitting, corroding, tarnishing or peeling. Brass finishes of this type give their longest useful life when protected from varying weather conditions. A certain amount of wobble is normal and should not be considered a defect. Servicing performed by unauthorized persons shall render the warranty invalid. There is no other express warranty. The retailer hereby disclaims any and all warranties, including but not limited to. Those of merchantability and fitness for a particular purpose to the extent permitted by law. The duration of any implied warranty which cannot be disclaimed is limited to the time period as specified in the express warranty. Some states do not allow limitation on how long an implied warranty lasts, so the above limitation may not apply to you. The retailer shall not be liable for incidental, consequential, or special damages arising out of or in connection with product use or performance except as may otherwise be accorded by law. Some states do not allow the exclusion of incidental or consequential damages, so the above exclusion or limitation may not apply to you. This warranty gives specific legal rights, and you may also have other rights which vary from state to state. This warranty supersedes all prior warranties.

Date Purchased _____

Store Purchased _____

Model No. _____ 640-655

Serial No. _____

Vendor No. _____ 11289

UPC _____ 792145351481

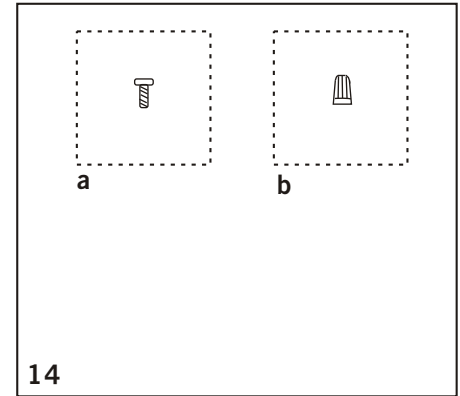
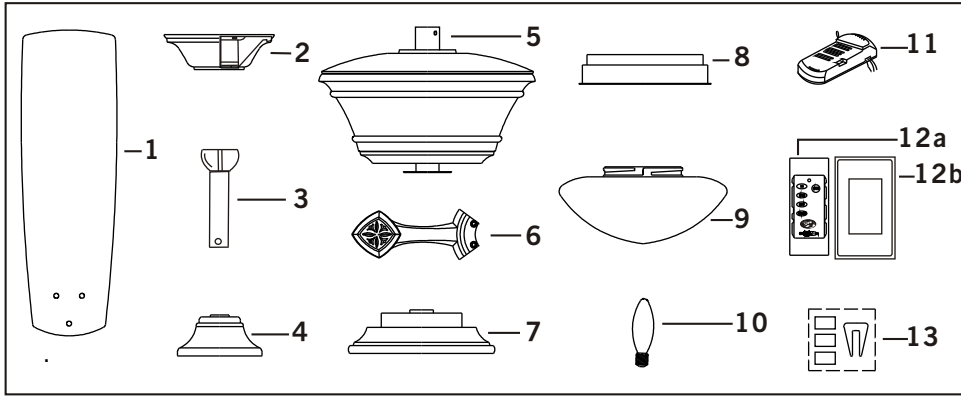
Lifetime Limited Warranty

| | |
|----------------------------------|-----|
| Safety Rules..... | 1. |
| Unpacking Your Fan | 2. |
| Installing Your Fan | 3. |
| Installing the Light Kit..... | 10. |
| Operating Your Transmitter | 11. |
| Care of Your Fan | 12. |
| Troubleshooting | 13. |
| Specifications | 14. |

Table of Contents

1. To reduce the risk of electric shock, insure electricity has been turned off at the circuit breaker or fuse box before beginning.
 2. All wiring must be in accordance with the National Electrical Code and local electrical codes. Electrical installation should be performed by a qualified licensed electrician.
 3. **WARNING:** To reduce the risk of electrical shock and fire, do not use this fan with any solid-state fan speed control device.
 4. **WARNING:** To reduce the risk of personal injury, use only the two steel screws (and lock washers) provided with the outlet box for mounting to the outlet box. Most outlet boxes commonly used for the support of lighting fixtures are not acceptable for fan support and may need to be replaced, consult a qualified electrician if in doubt.
- WARNING**
TO REDUCE THE RISK OF FIRE, ELECTRIC SHOCK OR PERSONAL INJURY, MOUNT FAN TO OUTLET BOX MARKED ACCEPTABLE FOR FAN SUPPORT.
5. The outlet box and support structure must be securely mounted and capable of reliably supporting a minimum of 50 pounds. Use only UL Listed outlet boxes marked **FOR FAN SUPPORT**.
 6. The fan must be mounted with a minimum of 7 feet clearance from the trailing edge of the blades to the floor.
 7. Do not operate the reverse switch while the fan blades are in motion. The fan must be turned off and the blades stopped before reversing the blades direction.
 8. Avoid placing objects in the path of the blades.
 9. To avoid personal injury or damage to the fan and other items, be cautious when working around or cleaning the fan.
 10. Do not use water or detergents when cleaning the fan or fan blades. A dry dust cloth or lightly dampened cloth will be suitable for most cleaning.
 11. After making electrical connections, spliced conductors should be turned upward and pushed carefully up into the outlet box. The wires should be spread apart with the grounded conductor and the equipment-grounding conductor on one side of the outlet box.
 12. Electrical diagrams are for reference only. Light kits that are not packed with the fan must be UL Listed and marked suitable for use with the model fan you are installing. Switches must be UL General Use Switches. Refer to the Instructions packaged with the light kits and switches for proper assembly.
- WARNING**
TO REDUCE THE RISK OF PERSONAL INJURY, DO NOT BEND THE BLADE ARMS (ALSO REFERRED TO AS BRACKETS) DURING ASSEMBLY OR AFTER INSTALLATION. DO NOT INSERT OBJECTS IN THE PATH OF THE BLADES.
- NOTE**
READ AND SAVE ALL INSTRUCTIONS!

1. Safety Rules



Unpack your fan and check the contents. You should have the following items;

- | | | |
|--------------------------|---|--|
| 1. Fan blades (5) | 9. Glass shade | |
| 2. Canopy assembly | 10. 40 Watt candelabra bulbs (3) | |
| 3. Ball/downrod assembly | 11. Receiver with 6 wire nuts | |
| 4. Coupling cover | 12a. Wall transmitter incl. 2 mounting screws and 3 wire nuts | |
| 5. Fan motor assembly | 12b. Wall plate w/2 mounting screws | 14. Loose parts bag containing: |
| 6. Blade arms (5) | 13. Balancing kit | a. Blade attachment hardware (16 screws) |
| 7. Mounting plate | | b. Mounting hardware (3 plastic wire connectors) |
| 8. Light plate | | |

WARNING
DO NOT INSTALL OR USE FAN
IF ANY PART IS DAMAGED OR MISSING.
CALL TOLL FREE 1-877-898-1881

Unpacking Your Fan 2.

Tools Required

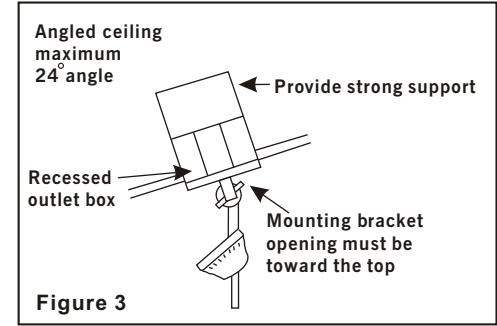
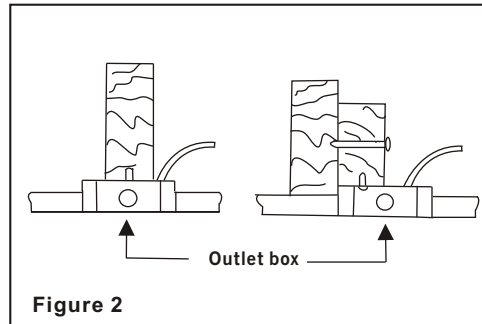
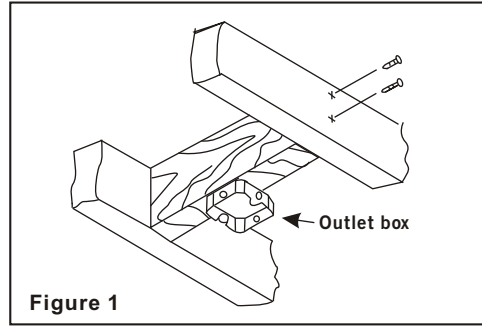
Phillips screwdriver, straight slot screwdriver, adjustable wrench, step ladder, and wire cutters.

Mounting Options

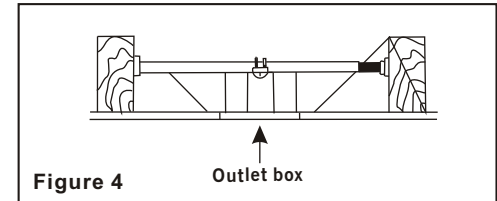
If there isn't an existing UL listed mounting box, then read the following instructions. Disconnect the power by removing fuses or turning off circuit breakers.

Secure the outlet box directly to the building structure. Use appropriate fasteners and building materials. The outlet box and its support must be able to fully support the moving weight of the fan (at least 50 lbs). Do not use plastic outlet boxes.

Figures 1,2 and 3 are examples of different ways to mount the outlet box.



Note: You may need a longer downrod to maintain proper blade clearance when installing on a steep, sloped ceiling.



To hang your fan where there is an existing fixture but no ceiling joist, you may need an installation hanger bar as shown in Figure 4 (available at your Hampton Bay Retailer).

3. *Installing Your Fan*

Hanging the Fan

REMEMBER to turn off the power. Follow the steps below to hang your fan properly:

Step 1. Remove the decorative canopy bottom cover from the canopy by turning the cover counter clockwise.(Fig. 5)

Step 2. Remove the hanger bracket from the canopy by loosening the two screws on the bottom of the hanging bracket a half turn from the screw head and turning the canopy counter clockwise.(Fig. 5)

Step 3. Pass the 120-volt supply wires through the center hole in the ceiling hanger bracket as shown in Fig. 6.

Step 4. Secure the hanger bracket to the ceiling outlet box with the screws and washers provided with your outlet box.

Step 5. Remove the hanger pin, lock pin and set screws from the top of the motor assembly.

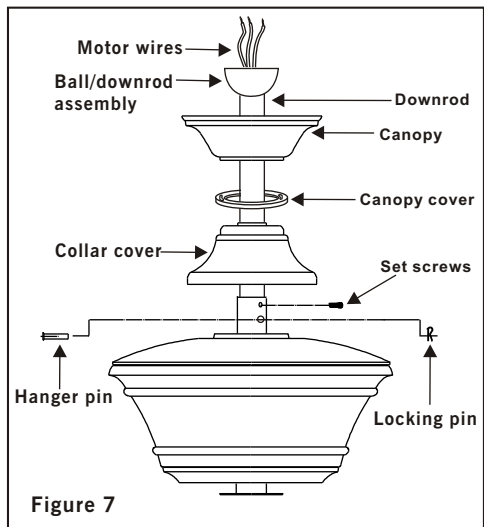
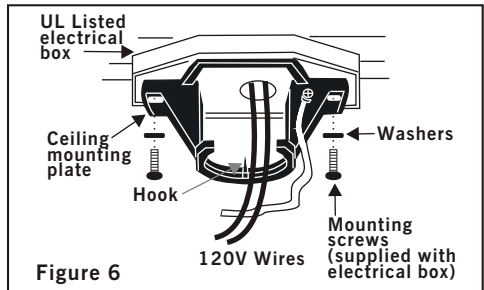
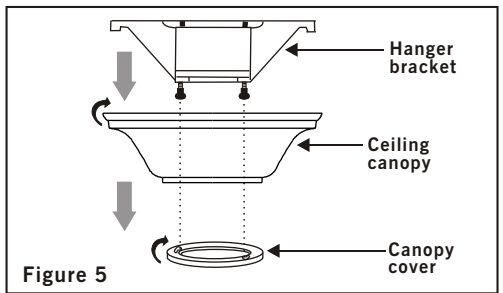
Step 6. Route wires exiting from the top of the fan motor through the collar cover, canopy cover, canopy and then through the ball / downrod. (Fig. 7)

Step 7. Align the holes at the bottom of the downrod with the holes in the collar on top of the motor housing (Fig.7). Carefully insert the hanger pin through the holes in the collar and downrod. Be careful not to jam the pin against the wiring inside the downrod. Insert the locking pin through the hole near the end of the hanger pin until it snaps into its locked position, as noted in the circle inset of Fig. 7.

WARNING
FAILURE TO PROPERLY INSTALL LOCKING PIN AS NOTED IN STEP 7 COULD RESULT IN FAN LOOSENING AND POSSIBLY FALLING.

Step 8. Tighten two set screws on top of the fan motor firmly (Figure 7)

Step 9. Place the downrod ball into the hanger bracket socket.



Make the Electric Connections

WARNING: To avoid possible electrical shock, be sure electricity is turned off at the main fuse box before wiring.

NOTE: This remote control unit is equipped with 16 code combinations to prevent possible interference from or to other remote units. The frequency switches on your receiver and transmitter have been preset at the factory. Please recheck to make sure the switches on the transmitter and the receiver are set to the same position. Any combination of settings will operate the fan as long as the transmitter and receiver are set to the same position. (Figure 8)

Step 1. (Figure 9) Insert the receiver into the mounting bracket with the flat side of the receiver facing the ceiling.

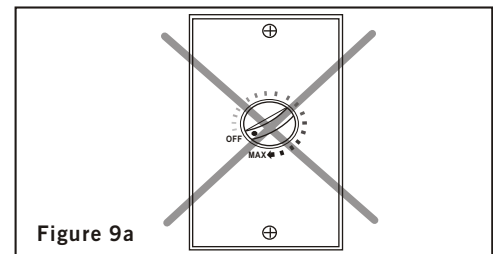
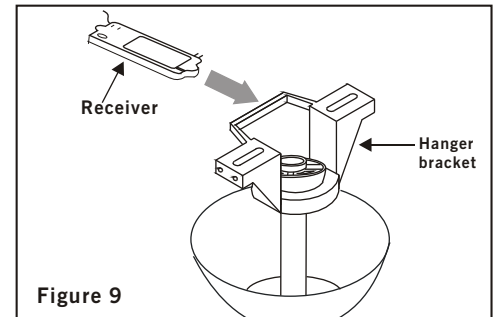
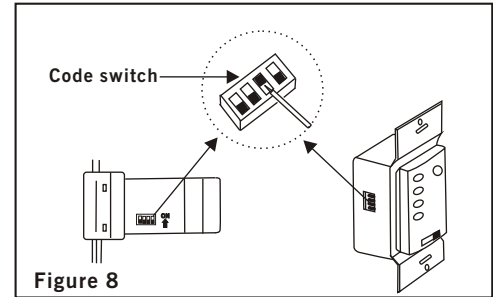
Step 2. (Fig. 10) Motor to Receiver Electrical Connections: Connect the Black wire from the fan to Black wire marked "TO MOTOR L". Connect the White wire from the fan to the White

wire marked "TO MOTOR N" from the receiver. Connect the Blue wire from the fan to the Blue wire marked "For Light" from the receiver. Secure wire connections with the plastic wire nuts provided.

Step 3. (Figure 10) Receiver to House Supply Wires Electrical Connections: Connect the black (hot) wire from the ceiling to the black wire marked "AC in L" from the receiver. Connect the white (neutral) wire from the ceiling to the white wire marked "AC in N" from the Receiver. Secure the wire connections with the plastic wire nuts provided.

Step 4. (Figure 10) If your outlet box has a ground wire (green or bare copper) connect it to the fan ground wires; otherwise connect the hanging bracket ground wire to the mounting bracket. Secure the wire connection with a plastic nut provided. After connecting the wires spread them apart so that the green and white wires are on one side of the outlet box and black and blue wires are on the other side. Carefully tuck the wire connections up into the outlet box.

CAUTION: Do not use with wall light dimmer switch. (Fig. 9a)



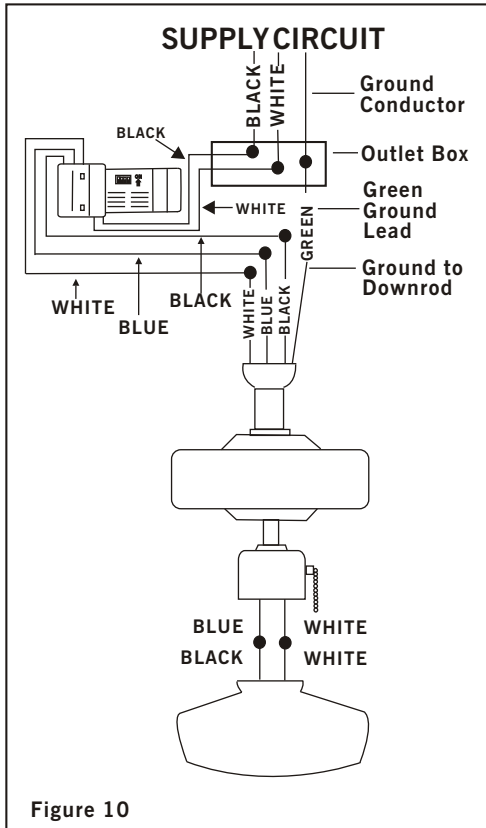


Figure 10

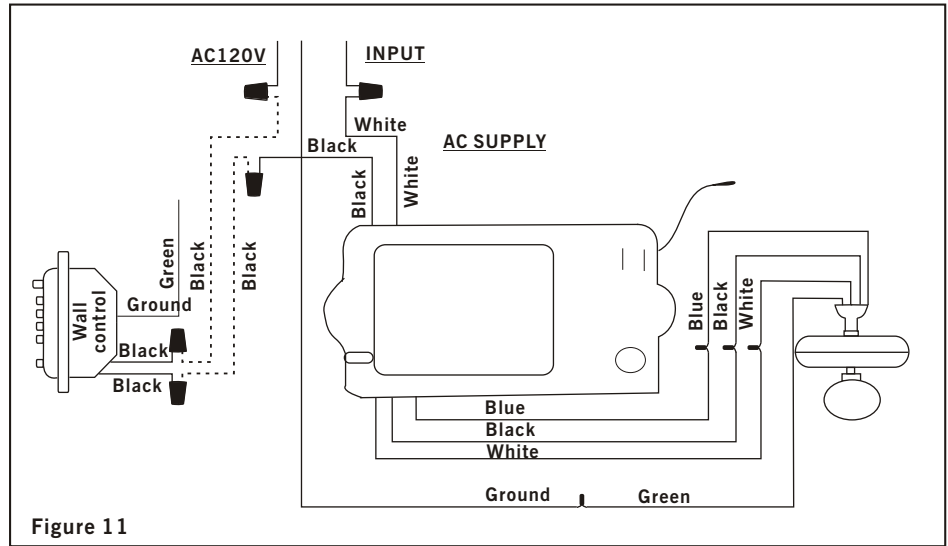


Figure 11

Installing the Wall Transmitter

REMEMBER to Shut the Power Off at the Circuit Breaker or Fuse Box.

WARNING: HOOK UP IN "SERIES ONLY" DO NOT CONNECT THE HOT AND NEUTRAL WIRES OF ELECTRIC CIRCUIT TO THE TRANSMITTER WALL SWITCH - DAMAGE TO THE SWITCH AND POSSIBLE FIRE COULD OCCUR.

Step 1. Remove the existing wall plate and switch from the wall junction box.

Step 2. Make the electrical connections as shown in (Fig. 11). If your outlet box has a ground wire (green or bare copper) connect the wall transmitter's ground wire to it; otherwise connect the wall transmitter's ground wire directly to one of the screws from the outlet box.

Step 3. (Fig. 12) Carefully tuck the wire connections inside the junction box. Secure the wall transmitter with the two screws provided. Attach the wall plate over the wall transmitter and secure with the two screws provided.

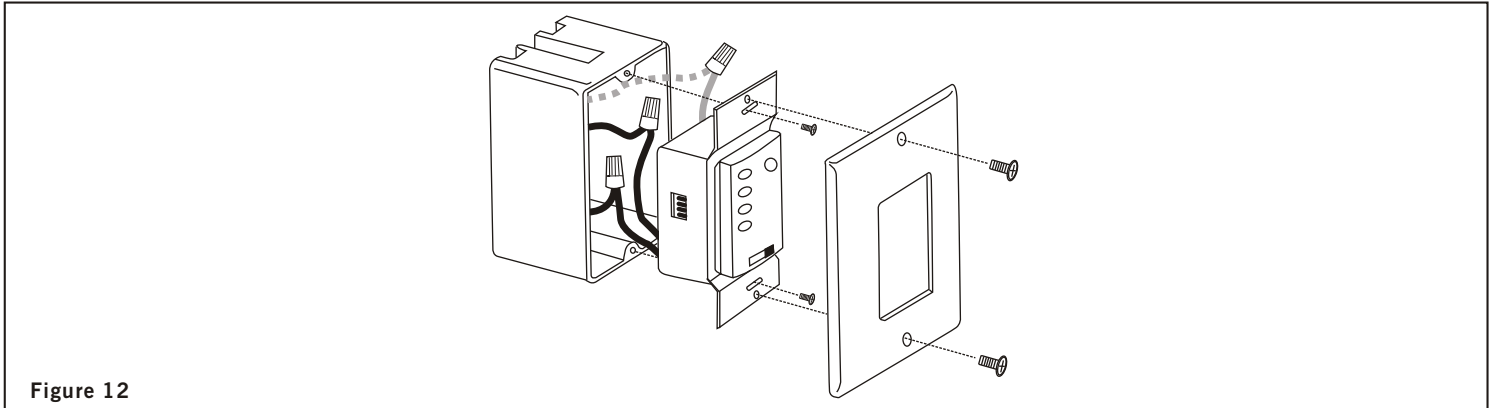


Figure 12

7.

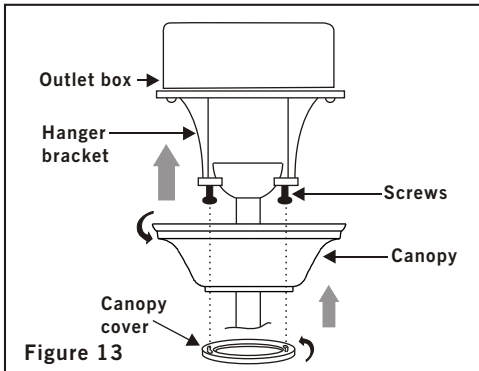
Finishing the Installation

Step 1. Tuck connections neatly into ceiling outlet box.

Step 2. Slide the canopy up to ceiling and over the 2 screws on the hanger bracket. Rotate canopy clockwise. Next, while holding the canopy with one hand, slide the canopy cover over the screws and rotate clockwise until tight. **Note:** adjust the canopy screws as necessary until the canopy and canopy cover are snug. (Fig. 13)

WARNING

Make sure the notch on the hanging bracket properly sits in the groove in the hanger ball before attaching the canopy to the bracket by turning the housing until it drops into place.

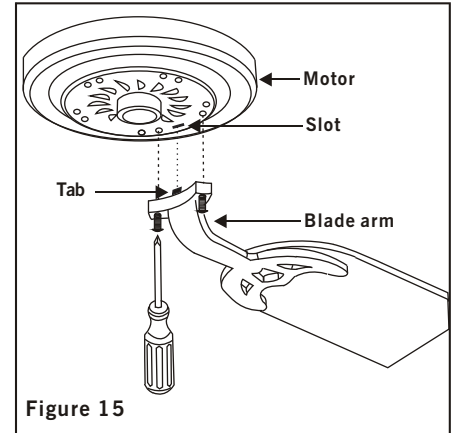
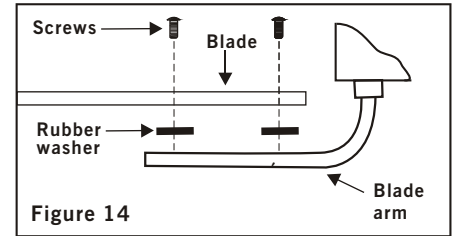


Attaching the Fan Blades

Step 1 Attach the blades to the blade arms using three screws and rubber washers as shown in Figure 14. Start a screw into the arm, do not tighten. Repeat for the 2 remaining screws and washers.

Step 2 Tighten each screw securely starting with the center screw. Make sure the blade is straight.

Step 3 Fasten the blade arms to the motor by inserting the tab from the blade arms to the slot in the bottom motor housing, then tighten the two screws and washers already installed in the blade arms (Figure 15).



The following procedure should correct most fan wobbling problems. Check after each step.

1. Check that all blade and blade arm screws are secure.

2. Most fan wobbling problems are caused when blade levels are unequal. Check this level by selecting a point on the ceiling above the tip of one of the blades. Measure this distance as shown in Figure 16. Rotate the fan until the next blade is positioned for measurement. Repeat for each blade. The distance deviation should be equal within 1/8".

3. Use the enclosed Blade Balancing Kit if the blade wobble is still noticeable.

4. If the blade wobble is still noticeable, interchanging two adjacent (side by side) blades can redistribute the weight and possibly result in smoother operation.

WARNING
TO REDUCE THE RISK OF PERSONAL INJURY, DO NOT BEND THE BLADE HOLDERS WHILE INSTALLING, BALANCING THE BLADES, OR CLEANING THE FAN. DO NOT INSERT FOREIGN OBJECTS BETWEEN ROTATING FAN BLADES.

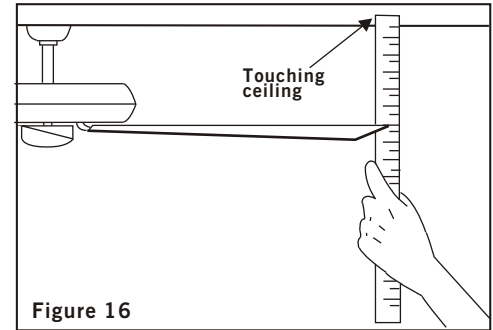
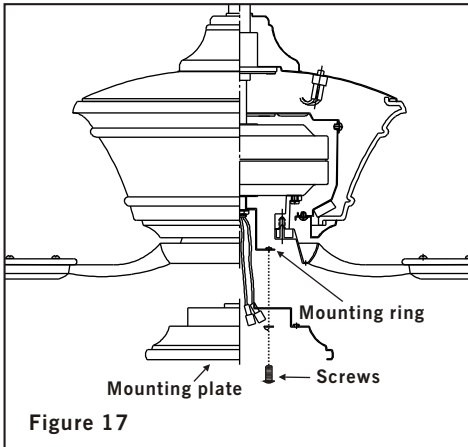


Figure 16

Installing the Mounting Plate

Step 1. Remove the 1 of 3 screws from the mounting ring and loosen the other 2 screws. (Do not remove)

Step 2. Place the key holes on the mounting plate over the 2 screws previously loosened from the mounting ring, turn mounting plate until it locks in place at the narrow section of the key holes. Secure by tightening the 2 screws previously loosened and the one previously removed. (Fig. 17)



REMEMBER: To disconnect the power. The fan blades must be already attached to the fan.

Step 1. Remove 1 of the 3 screws from the mounting plate and keep it for future use. Loosen the other 2 screws. (Do not remove)

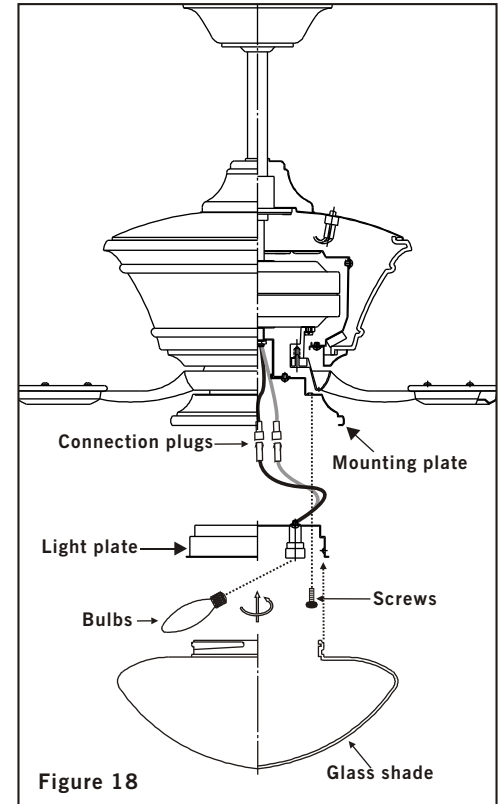
Step 2. Raise and hold the light plate close to the mounting plate and proceed to do the wire connections. Connect the white wire connectors from the light kit and fan, follow the same procedure with the black wire connectors. (Fig. 18)

Step 3. Tuck connections neatly into mounting plate, Place the key holes on the light plate over the 2 screws previously loosened from the mounting plate, turn light plate until it locks in place at the narrow section of the key holes. Secure by tightening the 2 screws previously loosened and the one previously removed. (Fig. 18)

Step 4. Install 3 x 40w candelabra bulbs (included). (Fig. 18)

Step 5. Raise glass shade up against the light plate and secure it to fan by turning glass clockwise until snug. **DO NOT OVERTIGHTEN.** (Fig. 18)

NOTE: Light bulbs have no warranty, can be purchased at local light bulb specialty store or from our service center.



Installing the Light Kit 10.

Restore power to ceiling fan and test for proper operation.

1. "LOW, MED, HI" buttons:

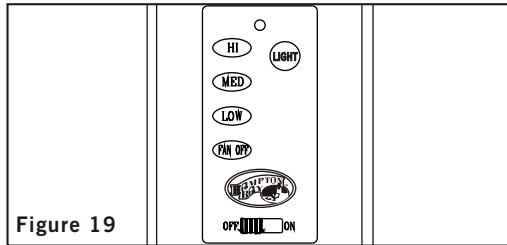
These three buttons are used to set the fan speed as follows:

LOW = Low speed **MED** = Medium speed
HI = High speed

2. "FAN OFF" button:

This button turns the fan off.

3. The "LIGHT" button turns the light ON or OFF and also controls the brightness setting. Press and release the button to turn the light ON or OFF. Press and hold the button to set the desired brightness. The light key has an auto-resume, it will stay at the same brightness as the last time it was turned off.



4. "OFF-ON" Slide Button:

This button turns the power Off and On to the Fan and Light(s).

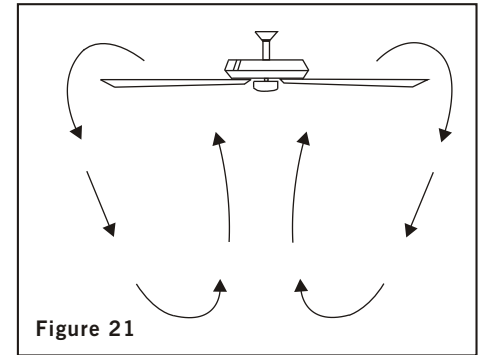
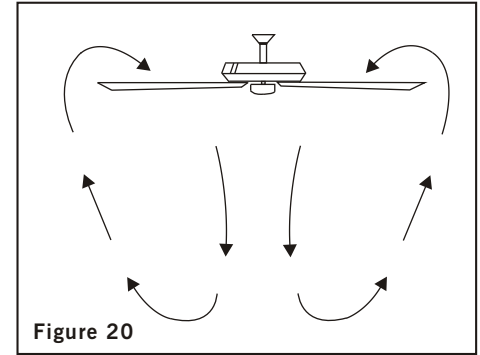
Speed settings for warm or cool weather depend on factors such as the room size, ceiling height, number of fans, etc.

The Reverse switch is located on the top of motor housing. Slide the switch to the Left for warm weather operation. Slide the switch to the Right for cool weather operation.

NOTE: Wait for fan to stop before changing the setting of the slide switch.

Warm weather - (Forward) A downward air flow creates a cooling effect as shown in Figure 20. This allows you to set your air conditioner on a higher setting without affecting your comfort.

Cool weather - (Reverse) An upward airflow moves warm air off the ceiling area as shown in Figure 21. This allows you to set your heating unit on a lower setting without affecting your comfort.



11. Operating Your Transmitter

Here are some suggestions to help you maintain your fan

1. Because of the fan's natural movement, some connections may become loose. **Check the support connections, brackets, and blade attachments twice a year.** Make sure they are secure. **(It is not necessary to remove fan from ceiling.)**

2. Clean your fan periodically to help maintain its new appearance over the years. Use only a soft brush or lint-free cloth to avoid scratching the finish. The plating is sealed with a lacquer to minimize discoloration or tarnishing. Do not use water when cleaning. This could damage the motor, or the wood, or possibly cause an electrical shock.

3. You can apply a light coat of furniture polish to the wood blades for additional protection and enhanced beauty. Cover small scratches with a light application of shoe polish.

4. **There is no need to oil your fan.** The motor has permanently lubricated bearings.

IMPORTANT

MAKE SURE THE POWER IS OFF AT THE ELECTRICAL PANEL BOX BEFORE YOU ATTEMPT ANY REPAIRS. REFER TO THE SECTION "MAKING ELECTRICAL CONNECTIONS"

Care of Your Fan 12.

Problem

Solution

Fan will not start.

1. Check circuit fuses or breakers.
2. Check line wire connections to the fan and switch wire connections in the switch housing.
CAUTION: Make sure main power is off.
3. Check to make sure the dip switches from the transmitter and receiver are set to the same frequency.

Fan sounds noisy.

1. Make sure all motor housing screws are snug.
2. Make sure the screws that attach the fan blade bracket to the motor hub is tight.
3. Make sure wire nut connections are not rubbing against each other or the interior wall of the switch housing.
CAUTION: Make sure main power is off.
4. Allow a 24-hour "breaking-in" period. Most noise associated with a new fan disappear during this time.
5. If using an optional light kit, make sure the screws securing the glassware are tight. Check that light bulb is also secure.
6. Do not connect the fan with wall mounted variable speed control (s)
7. Make sure the upper canopy is a short distance from the ceiling. **It should not touch the ceiling.**

Remote control malfunction:

1. Do not connect the fan with wall mounted variable speed control (s)
2. Make sure the dip switches are set correctly.

13. Troubleshooting

| Fan Size | Speed | Volts | Amps | Watts | RPM | CFM | N.W. | G.W. | C.F. |
|------------|---------------|------------|------------|-----------|------------|-----------|----------------------------|---------------------------|--------------|
| 52" | Low | 120 | Xxx | Xx | Xxx | Xx | Xxx kgs (xxlbs) | xx kgs (xxlbs) | 3.03' |
| | Medium | 120 | | | | | | | |
| | High | 120 | | | | | | | |

These are approximate measures. They do not include Amps and Wattage used by the light kit.

Distributed by Home Depot U.S.A., Inc.
2455 Paces Ferry Rd. N.W. Atlanta, Georgia 30339

© 2006 Homer TLC, Inc. All Rights Reserved
Hampton Bay is a registered trademark of Homer TLC, Inc.

Specifications 14.