

ELEMENTALS™
by Hampton Bay®

Farmington 52" Ceiling Fan Owner's Manual

Farmington

Ventilador de Techo de 1.32 m
Manual del Propietario





Congratulations on your purchase of a Hampton Bay ceiling fan. Your new fan will be a beautiful addition to your home, and will keep you comfortable throughout the year.

The Hampton Bay Fan Company offers a wide variety of ceiling fans. We offer combinations of wood and brass finishes, solid designer colors, and our unique glass and crystal designs.

A large selection of light fixtures and light kits is also available. Ask your dealer about other accessories that will allow you to further customize your fan.

We're certain that your Hampton Bay fan will provide you with many years of comfort, energy savings and satisfaction. To ensure your personal safety and to maximize the performance of your fan, please read this manual thoroughly.

Farmington by Hampton Bay®

15-Year Motor Warranty

The retailer warrants the fan motor to be free from defects in workmanship and material present at time of shipment from the factory for a period of fifteen years after the date of purchase by the original purchaser. The retailer also warrants that all other fan parts, excluding any glass or plexiglass blades, to be free from defects in workmanship and material at the time of shipment from the factory for a period of one year after the date of purchase by the original purchaser. We agree to correct such defects without charge or at our option replace with a comparable or superior model if the product is returned to the retailer. To obtain warranty service, you must present a copy of the receipt as proof of purchase. All costs of removing and reinstalling the product are your responsibility. Damage to any part such as by accident or misuse or improper installation or by affixing any accessories, is not covered by this warranty. Because of varying climatic conditions in the United States this warranty does not cover any changes in brass finish, including rusting, pitting, corroding, tarnishing or peeling. Brass finishes of this type give their longest useful life when protected from varying weather conditions. A certain amount of wobble is normal and should not be considered a defect. Servicing performed by unauthorized persons shall render the warranty invalid. There is no other express warranty. The retailer hereby disclaims any and all warranties, including but not limited to. Those of merchantability and fitness for a particular purpose to the extent permitted by law. The duration of any implied warranty which cannot be disclaimed is limited to the time period as specified in the express warranty. Some states do not allow limitation on how long an implied warranty lasts, so the above limitation may not apply to you. The retailer shall not be liable for incidental, consequential, or special damages arising out of or in connection with product use or performance except as may otherwise be accorded by law. Some states do not allow the exclusion of incidental or consequential damages, so the above exclusion or limitation may not apply to you. This warranty gives specific legal rights, and you may also have other rights which vary from state to state. This warranty supersedes all prior warranties.

Date Purchased _____

Store Purchased _____

170-721

172-503

171-348

171-889

176-925

Model No. _____

Serial No. _____

Vendor No. _____ 11289

792145352952 (170-721)

792145352969 (172-503)

792145352976 (171-348)

792145352983 (171-889)

792145352990 (176-925)

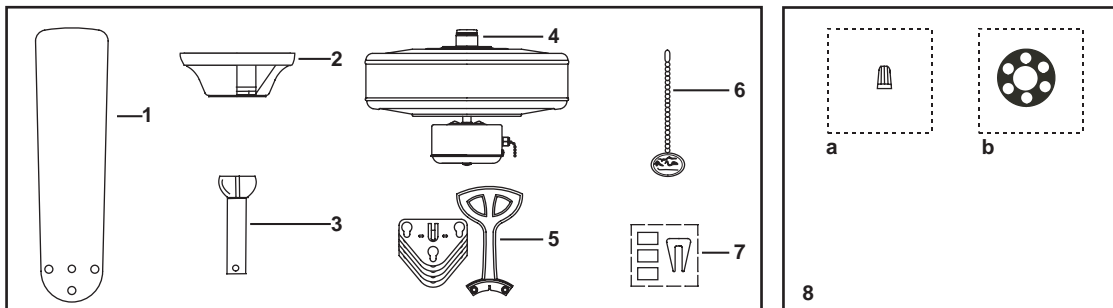
UPC. _____

Safety Rules.....	1.
Unpacking Your Fan	2.
Installing Your Fan	3.
Operating Your Fan.....	9.
Care of Your Fan	10.
Troubleshooting	11.
Specifications	12.

Table of Contents

1. To reduce the risk of electric shock, insure electricity has been turned off at the circuit breaker or fuse box before beginning.
 2. All wiring must be in accordance with the National Electrical Code and local electrical codes. Electrical installation should be performed by a qualified licensed electrician.
 3. **WARNING:** To reduce the risk of electrical shock and fire, do not use this fan with any solid-state fan speed control device.
 4. **WARNING:** To reduce the risk of personal injury, use only the two steel screws (and lock washers) provided with the outlet box for mounting to the outlet box. Most outlet boxes commonly used for the support of lighting fixtures are not acceptable for fan support and may need to be replaced, consult a qualified electrician if in doubt.
- WARNING**
TO REDUCE THE RISK OF FIRE, ELECTRIC SHOCK OR PERSONAL INJURY,
MOUNT FAN TO OUTLET BOX MARKED ACCEPTABLE FOR FAN SUPPORT.
5. The outlet box and support structure must be securely mounted and capable of reliably supporting a minimum of 50 pounds. Use only UL Listed outlet boxes marked FOR FAN SUPPORT.
 6. The fan must be mounted with a minimum of 7 feet clearance from the trailing edge of the blades to the floor.
 7. Do not operate the reverse switch while the fan blades are in motion. The fan must be turned off and the blades stopped before reversing the blades direction.
 8. Avoid placing objects in the path of the blades.
 9. To avoid personal injury or damage to the fan and other items, be cautious when working around or cleaning the fan.
 10. Do not use water or detergents when cleaning the fan or fan blades. A dry dust cloth or lightly dampened cloth will be suitable for most cleaning.
 11. After making electrical connections, spliced conductors should be turned upward and pushed carefully up into the outlet box. The wires should be spread apart with the grounded conductor and the equipment-grounding conductor on one side of the outlet box.
 12. Electrical diagrams are for reference only. Light kits that are not packed with the fan must be UL Listed and marked suitable for use with the model fan you are installing. Switches must be UL General Use Switches. Refer to the Instructions packaged with the light kits and switches for proper assembly.
 13. **WARNING:** To reduce the risk of fire or electric shock, do not use this with any solid-state speed control device.
- WARNING**
TO REDUCE THE RISK OF PERSONAL INJURY, DO NOT BEND THE
BLADE ARMS (ALSO REFERRED TO AS BRACKETS) DURING
ASSEMBLY OR AFTER INSTALLATION. DO NOT INSERT OBJECTS IN
THE PATH OF THE BLADES.
- NOTE**
READ AND SAVE ALL INSTRUCTIONS!

1. Safety Rules



Unpack your fan and check the contents. You should have the following items:

- | | | |
|--------------------------|----------------------------|--|
| 1. Set of blades (5) | 5. Blade arms assembly (5) | 8. Loose parts bag containing:
a. Electrical hardware
(3 plastic wire connectors)
b. Rubber gasket |
| 2. Canopy assembly | 6. Pull chain and fob | |
| 3. Ball/downrod assembly | 7. Balancing kit | |
| 4. Fan motor assembly | | |

WARNING
DO NOT INSTALL OR USE FAN
IF ANY PART IS DAMAGED OR MISSING.
CALL TOLL FREE 1-877-902-5588

Unpacking Your Fan 2.

Tools Required

Phillips screwdriver, straight slot screwdriver, step ladder, and wire cutters.

Mounting Options

If there isn't an existing UL listed mounting box, then read the following instructions. Disconnect the power by removing fuses or turning off circuit breakers.

Secure the outlet box directly to the building structure. Use appropriate fasteners and building materials. The outlet box and its support must be able to fully support the moving weight of the fan (at least 50 lbs). Do not use plastic outlet boxes.

Figures 1, 2 and 3 are examples of different ways to mount the outlet box.

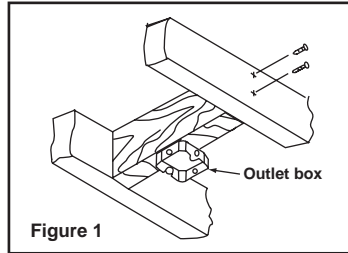


Figure 1

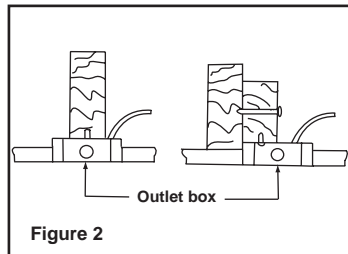


Figure 2

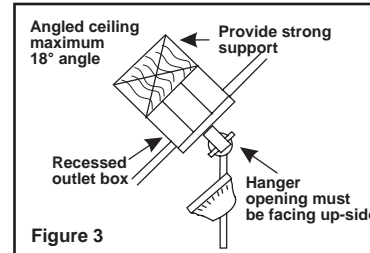


Figure 3

Note: You may need a longer downrod to maintain proper blade clearance when installing on a steep, sloped ceiling.

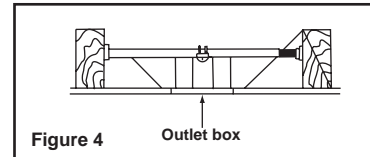


Figure 4

To hang your fan where there is an existing fixture but no ceiling joist, you may need an installation hanger bar as shown in Figure 4 (available at your Hampton Bay Retailer).

3. Installing Your Fan

Hanging the Fan

REMEMBER to turn off the power. Follow the steps below to hang your fan properly. **NOTE:** This ceiling fan is supplied with two types of hanging assemblies; the standard ceiling installation using the downrod with ball and socket mounting and the "flushmount" installation. The "flushmount" installation is recommended in rooms with less than 8-foot ceilings or in areas where additional space is desired from the floor to the fan blades. When using the standard 4 1/2" downrod, the distance from the ceiling to the bottom of the fan blades will be approximately 12 1/2 inches. The "flushmount" installation reduce this distance to 8-inches. Once you have selected which mounting system you will use, proceed with the following instructions. Where necessary, each section of the instructions will note the different procedures to follow for the two types of mounting.

STANDARD CEILING INSTALLATION

1. Remove the canopy ring from the canopy. (Fig. 5)
2. Remove the hanger bracket from the canopy by loosening the four screws on the top of the canopy. Remove the two non-slotted screws and loosen the slotted screws. This will enable you to remove the hanger bracket. (Fig. 5)

3. Pass the 120-volt supply wires through the center hole in the ceiling hanger bracket as shown in Fig. 6.

4. Secure the hanger bracket to the ceiling outlet box using screws and lock washers included with your outlet box. (Fig. 6)

5. Remove the hanger pin, lock pin and set screws from the top of the motor assembly.

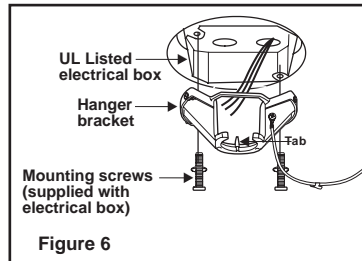
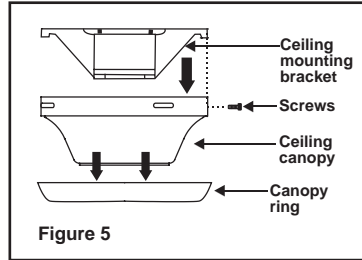
6. Route wires exiting from the top of the fan motor through the canopy ring. Make sure the widest edge of the canopy ring are on top. Route the wires through the canopy and then through the ball/downrod assembly (Fig. 7).

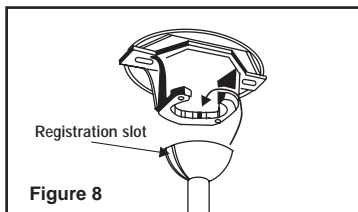
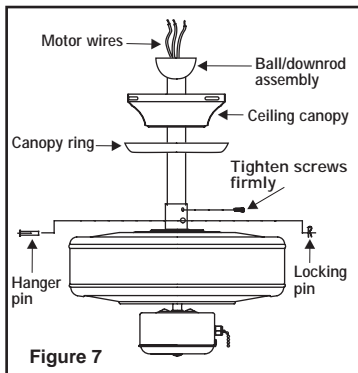
7. Align the holes at the bottom of the downrod with the holes in the collar on top of the motor housing (Fig. 7). Carefully insert the hanger pin through the holes in the collar and downrod. Be careful not to jam the pin against the wiring inside the downrod. Insert the locking pin through the hole in locked position, as noted in the circle inset of Figure 7.

WARNING
FAILURE TO PROPERLY INSTALL
LOCKING PIN AS NOTED IN STEP 7
COULD RESULT IN FAN LOOSENING
AND POSSIBLY FALLING.

8. Tighten two set screws on top of the fan motor firmly. (Fig. 7)

9. Place the downrod ball into the hanger bracket socket. (Fig. 8)





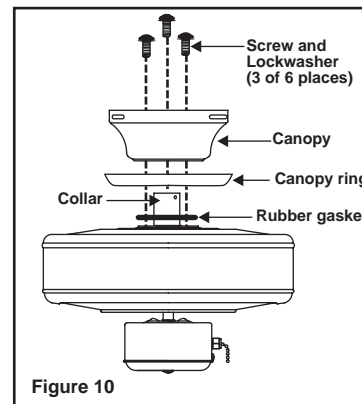
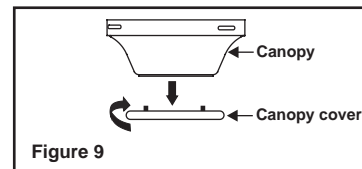
5.

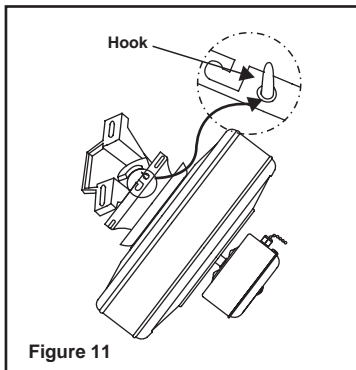
FLUSHMOUNT INSTALLATION

1. Remove the decorative canopy cover from the canopy. (Fig. 9)
2. Pass the 120-volt supply wires through the center hole in the ceiling hanger bracket as shown in Fig. 6.
3. Secure the hanger bracket to the ceiling outlet box with the screws and washers provided with your outlet box. (Fig. 6)
4. Tighten the two screws on the outlet box securely.
5. Remove three of the six screws and lock washers (every other one) from the collar of top motor (Fig. 10)
6. Place the rubber gasket over the remaining three screws, route the wires exiting the top of the fan motor through the canopy ring (make sure the slot openings of the ring are on top), then proceed to place the ceiling canopy over the collar at the top of the motor. Align the mounting holes with the holes in the motor and fasten using the screws and lock washers provided. (Fig. 10).
7. Tighten the mounting screws securely. (Fig. 10)

WARNING
Failure to completely tighten the three screws in step 6 could result in fan loosening and possibly falling.

8. Hang the fan on the hook of the hanger bracket. Be certain that the canopy is fully locked into hook as shown in Fig. 11. This will allow you to make the electrical connections.





Making the Electrical Connections

REMEMBER to disconnect the power. If you feel that you do not have enough electrical wiring knowledge or experience, have your fan installed by a licensed electrician.

Follow the steps below to connect the fan to your household wiring. Use the wire connecting nuts supplied with your fan. Secure the connectors with electrical tape. Make sure there are no loose strands or connections.

Step 1 Connect the fan supply (black) wire and light supply (blue) wire to the black household supply wire as shown in Figure 12.

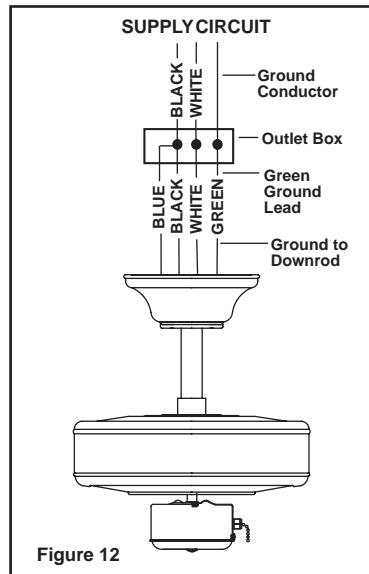
Step 2. Connect the neutral fan (white) wire to the white neutral household wire.

Step 3 Connect the two green fan ground wires, located on the mounting plate and motor, to the household ground wire.

Step 4 After connecting the wires, spread them apart so that the green and white wires are on one side of the outlet box and the black wire is on the other side.

Step 5 Turn the connecting nuts upward and push the wiring into the outlet box.

WARNING
 TO REDUCE THE RISK OF FIRE OR ELECTRIC SHOCK, DO NOT USE A WALL MOUNTED SOLID STATE SPEED CONTROL WITH THIS FAN. IT WILL PERMANENTLY DAMAGE THE ELECTRONIC CIRCUITRY.



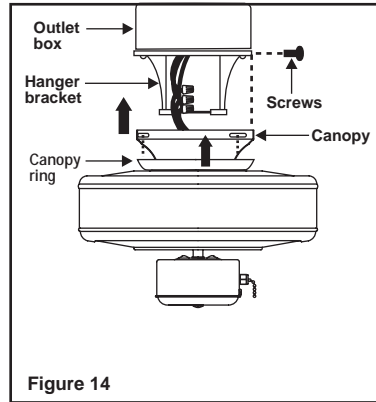
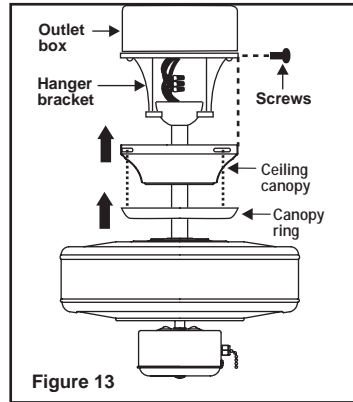
Finishing the Installation

STANDARD CEILING INSTALLATION

Slide canopy up to the ceiling as shown in Figure 13. Make sure you place the wires safely into the outlet box. Secure the canopy to the hanger bracket with the four screws with your fan. Raise canopy ring up against canopy and secure it to canopy until snug.

FLUSHMOUNT INSTALLATION

Remove the fan from the hook on the hanger bracket. Secure the canopy to the hanger bracket as shown in Figure 14 with four screws included with your fan. Secure the canopy to the hanger bracket with the four screws with your fan. Raise canopy ring up against canopy and secure it to canopy until snug.



Attaching the Fan Blades

CAUTION

Remove 5 rubber packing mounts from fan motor assembly and discard before installation. (Fig. 15)

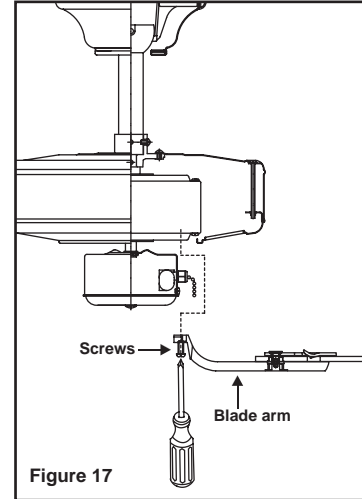
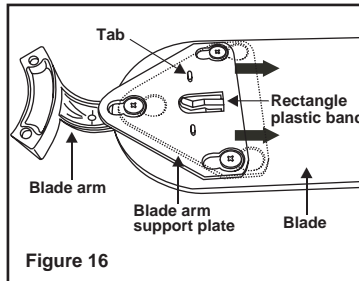
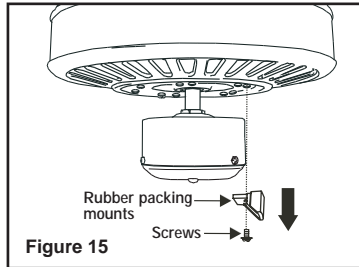
NOTE: Your fan blades are reversible. Select the blade side finish which best accentuates your decor.

Your fan features revolutionary advancements for quick and easy blade installation.

The screws are already installed on the blade arms, attach the blade arm support plate and blades to the blade arms using the screws already installed on the blade arms. Be sure the screws on the blade arms slide to the narrow portion of the key hole slot on the blade arm support plate, by pushing the tab back until the rectangle plastic band falls into the hole on the blade (this locks the blade assembly). To remove the blade from the blade arm, pull the rectangle plastic band up and slide the screws toward the wide portion of the key hole slot on the blade support plate. This will loosen the blade and blade arm support plate and this will allow you to remove the blade from the blade arm. (Fig. 16)

Fasten blade assembly to motor using the screws supplied. (Fig. 17)

WARNING
TO REDUCE THE RISK OF PERSONAL INJURY, DO NOT BEND THE BLADE HOLDERS WHILE INSTALLING, BALANCING THE BLADES, OR CLEANING THE FAN. DO NOT INSERT FOREIGN OBJECTS BETWEEN ROTATING FAN BLADES.



NOTE
WAIT FOR FAN TO STOP BEFORE
CHANGING THE SETTING OF THE SLIDE
SWITCH.

Turn on the power and check the operation of your fan. There are two pull chains available in your fan:

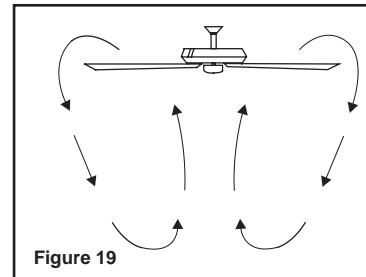
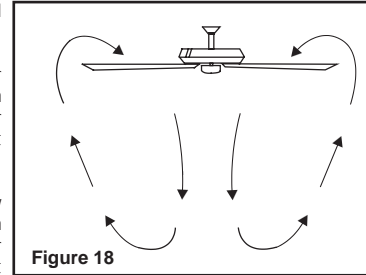
1. 3-speed pull chain- it controls the fan speed as follows:
 - 1-Pull = High Speed
 - 2-Pulls = Medium Speed
 - 3-Pulls = Low Speed
 - 4-Pulls = Fan Off

Speed settings for warm or cool weather depend on factors such as the room size, ceiling height, number of fans, and so on.

The slide switch controls directions: forward (switch down) or reverse (switch up).

Warm weather - (Forward) A downward air flow creates a cooling effect as shown in Figure 18. This allows you to set your air conditioner on a higher setting without affecting your comfort.

Cool weather - (Reverse) An upward airflow moves warm air off the ceiling area as shown in Figure 19. This allows you to set your heating unit on a lower setting without affecting your comfort.



9. Operating Your Fan

Here are some suggestions to help you maintain your fan

1. Because of the fan's natural movement, some connections may become loose. Check the support connections, brackets, and blade attachments twice a year. Make sure they are secure. (It is not necessary to remove fan from ceiling.)
2. Clean your fan periodically to help maintain its new appearance over the years. Use only a soft brush or lint-free cloth to avoid scratching the finish. The plating is sealed with a lacquer to minimize discoloration or tarnishing. Do not use water when cleaning. This could damage the motor, or the wood, or possibly cause an electrical shock.

3. You can apply a light coat of furniture polish to the wood blades for additional protection and enhanced beauty. Cover small scratches with a light application of shoe polish.
4. There is no need to oil your fan. The motor has permanently lubricated bearings.

IMPORTANT
MAKE SURE THE POWER IS OFF AT THE ELECTRICAL PANEL BOX BEFORE YOU ATTEMPT ANY REPAIRS. REFER TO THE SECTION "MAKING ELECTRICAL CONNECTIONS".

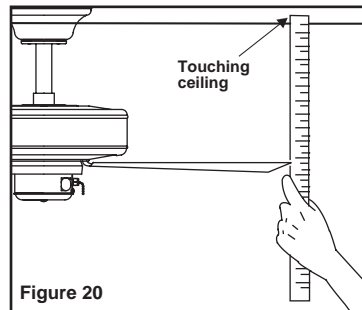


Figure 20

Care of Your Fan 10.

Problem

Solution

Fan will not start.

1. Check circuit fuses or breakers.
2. Check line wire connections to the fan and switch wire connections in the switch housing.
CAUTION: Make sure main power is off.

Fan sounds noisy.

1. Make sure all motor housing screws are snug.
2. Make sure the screws that attach the fan blade bracket to the motor hub is tight.
3. Make sure wire nut connections are not rubbing against each other or the interior wall of the switch housing.
CAUTION: Make sure main power is off.
4. Allow a 24-hour "breaking-in" period. Most noise associated with a new fan disappear during this time.
5. If using an optional light kit, make sure the screws securing the glassware are tight. Check that the light bulb is also secure.
6. Some fan motors are sensitive to signals from solid-state variable speed controls. If you have installed this type of control, choose and install another type of control.
7. Make sure the upper canopy is a short distance from the ceiling. It should not touch the ceiling.

Fan wobble.

1. Check that all blade and blade arm screws are secure.
2. Most fan wobbling problems are caused when blade levels are unequal. Check this level by selecting a point on the ceiling above the tip of one of the blades. Measure this distance.(Fig. 20) Rotate the fan until the next blade is positioned for measurement. Repeat for each blade. The distance deviation should be equal within 1/8".
3. Use the enclosed Blade Balancing Kit if the blade wobble is still noticeable.
4. If the blade wobble is still noticeable, interchanging two adjacent (side by side) blades can redistribute the weight and possibly result in smoother operation.
WARNING: TO REDUCE THE RISK OF PERSONAL INJURY, DO NOT BEND THE BLADE ARM WHILE INSTALLING, BALANCING THE BLADES, OR CLEANING THE FAN. DO NOT INSERT FOREIGN OBJECTS BETWEEN ROTATING FAN BLADES.

11. Troubleshooting

Fan Size	Speed	Volts	Amps	Watts	RPM	CFM	N.W.	G.W.	C.F.
52" (1.32 m)	Low	120	0.19	9	60	1822	6.85 kgs (15.08 lbs)	7.66 kgs (16.87 lbs)	1.57'
	Medium	120	0.34	27	120	3534			
	High	120	0.48	58	183	5311			

These are approximate measures.

Distributed by Home Depot U.S.A., Inc.
2455 Paces Ferry Rd. N.W.
Atlanta, Georgia 30339

Specifications 12.